

CLASSIC CITRUS JUICER #11



Internationally
patented models



The genuine citrus juicer since 1954

Built to last, this commercial citrus juicer is equipped with a sturdy and quiet asynchronous motor which makes it a must-have for bars and restaurants around the world.

Easy to use, it extracts the juice of all kinds of citrus, such as lemons, oranges and grapefruits.



30l/h



- 1 Removable bowl
- 2 Wide spout for all types of glasses. Height: 125 mm
- 3 Aluminium base
- 4 Heavy duty and quiet asynchronous motor
- 5 Inclined body Better output
- 6 Removable drip tray

The professional art of juicing since 1954

We have the juicer adapted to your needs, to make juice by the glass or in a jug.

Equipped with professional, robust and powerful motors, they are designed to quickly press all types of citrus. They are very easy to clean: all parts in contact with food are removable.

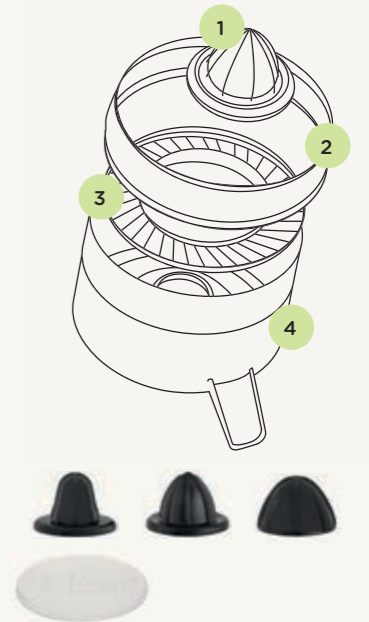


Easy to use and clean

All parts in contact with fruits are removable, which allows a simple and quick cleaning.

- 1 Squeezer
- 2 Ornamental ring
- 3 Filter grid
- 4 Bowl

Delivered with 3 squeezers for limes, lemons, oranges, grapefruits and 1 cover



Safety, standards, hygiene

In accordance with the following regulations	Machinery directive 2006/42/EC
	Electromagnetic compatibility 2014/30/EU
	Low voltage directive 2014/35/EU
	RoHS directive 2011/65/EU
	Regulation 1935/2004/EC (contact with food)
	WEEE directive 2012/19/EU
Harmonized European Standards	EN 1672-2 + A1: 2009
	EN ISO 12100: 2010
	EN 60204-1+A1: 2009
	EN 60335-2-64: 2004 Commercial electric kitchen machines
	CE Marking, NSF (USA)
Thermal safety	Motor protected by internal thermal detector and overload protector
Electrical safety	All mechanical parts are ground connected
	Appliances are 100% tested after assembly
	On/Off interlock switch is waterproof
Acoustic safety	Silent asynchronous motor
Hygiene	All removable parts can be put in a dishwasher or easily cleaned with hot soapy water

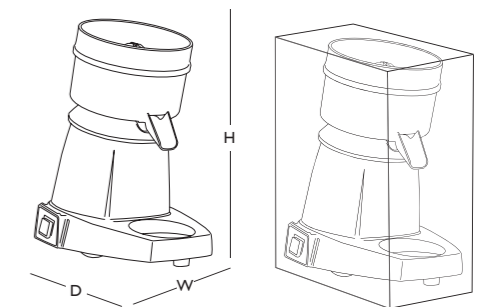
PRODUCT: 2-YEAR WARRANTY | **MOTOR:** 5-YEAR WARRANTY

Technical specifications

Motor

Single phase:
220-240 V - 50/60 Hz - 130 W - CE
100-120 V - 50/60 Hz - 155 W - CE, NSF

Speed:
1 500 rpm (50 Hz)
1 800 rpm (60 Hz)



Appliance

D: 300 mm (12")
W: 230 mm (9")
H: 350 mm (14")

Shipping box

D: 340 mm (13")
W: 255 mm (10")
H: 400 mm (16")

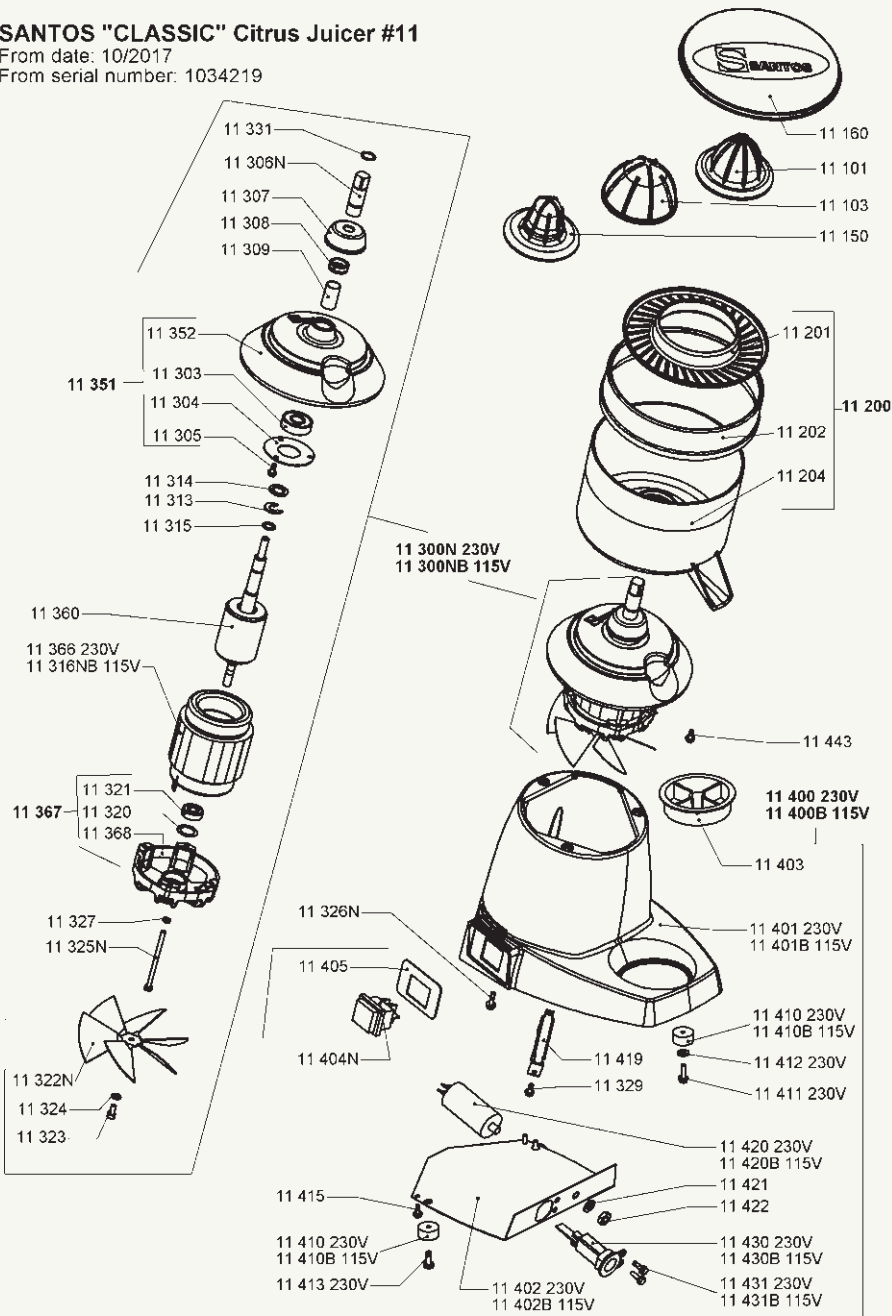
Net weight:
5 Kg (11 lbs)

Packed weight:
5,6 Kg (12 lbs)

SANTOS "CLASSIC" Citrus Juicer #11

From date: 10/2017

From serial number: 1034219



SANTOS

140-150 avenue Roger Salengro
BP 80 067
69511 Vaulx-en-Velin Cedex (Lyon) FRANCE

Tel: +33 472 37 35 29
Fax: +33 478 26 58 21
Email: santos@santos.fr
www.santos.fr

Follow us on **#santosaddict**
social networks

