

ELECTRIC BAIN-MARIE ON OPEN COMPARTMENT

Project
Rev.:
Zone:
Location:



CODICE
CR1017949

MODELLO
Q90BMV/E800

SERIE
QUEEN 9

GENERAL CHARACTERISTICS

It is the choice of those who need maximum strength and power. Queen9 is distinguished by its 900 mm depth, a 20/10-thick work surface, double-crown burners, and the use of elegant stainless steel with a Scotch Brite finish.

Details that not only offer maximum functionality and aesthetics, but also take into account the practical and ergonomic needs of those who work.

The extreme freedom of composition allows top models to be combined with accessorizable oven and neutral base units, even with hygienic finishes.

With more than 350 models immediately available in the catalog, Queen9 is already ready to start giving its best.

In addition, all equipment that makes up a Queen9 kitchen is certified in compliance with international standards, including CE, GAR, AGA and others.



TECHNICAL SPECIFICATIONS

Gas version

Stabilized flame burners regulated by thermostatic valves.

Piezoelectric ignition.

Electric version

Heated by armored heating elements placed outside the tank.

Control thermostat.

Different GN tray combinations

Examples:

M40: 1xGN1/3 + 1xGN 1/1 TANK

M80: 2xGN1/3 + 2xGN 1/1 TRAY

Adjustable temperature in tank with overflow and perforated false bottom for supporting containers. GN-sized tank.

Equipment certified for low voltage directive 2014/35/EU according to the international CB scheme.

Thanks to the jet-proofing certification (IPX5) obtained through specific tests, knobs and under-knobs can be washed at the end of the working day without compromising functionality and safety.

The front bar is a comfortable foothold for the cook; it keeps a safe distance from the worktop and thus protects against accidental collisions with what is resting on the worktops and at the same time the handles.

ELECTRIC BAIN-MARIE ON OPEN COMPARTMENT

Project
Rev.:
Zone:
Location:



CODICE
CR1017949

MODELLO
Q90BMV/E800

SERIE
QUEEN 9

Technical Information

SPECIFICATION	DATA
MATERIAL	CR1017949
DEFINITION	Q90BMV/E800 BAGNOMARIA EL. M80 A/G
COMMERCIAL LINE	QUEEN
SUPPLY	ELECTRICS
DIM. WIDTH	800 mm
DIM. PRODUCTIVITY	900 mm
DIM. HEIGHT	870 mm
NET WEIGHT	68 Kg
VOLUME (net)	0.626
PACKAGE LENGTH	860 mm
PACKAGE WIDTH	1020 mm
PACKAGING HEIGHT	1150 mm
PACKAGE VOLUME	1,010 m3
GROSS PACKING WEIGHT	80.2 Kg
STANDARD POWER SUPPLY	380-415V 3N
FREQUENCY	50-60 Hz
ELECTRICAL POWER	5.4 kW
IP GRADE	IPX5
CAPACITY	2 x Gn 1/3 + 2 x Gn 1/1
CERTIFIED MODEL	Q90BMV/E800

ELECTRIC BAIN-MARIE ON OPEN COMPARTMENT

Project
 Rev.:
 Zone:
 Location:



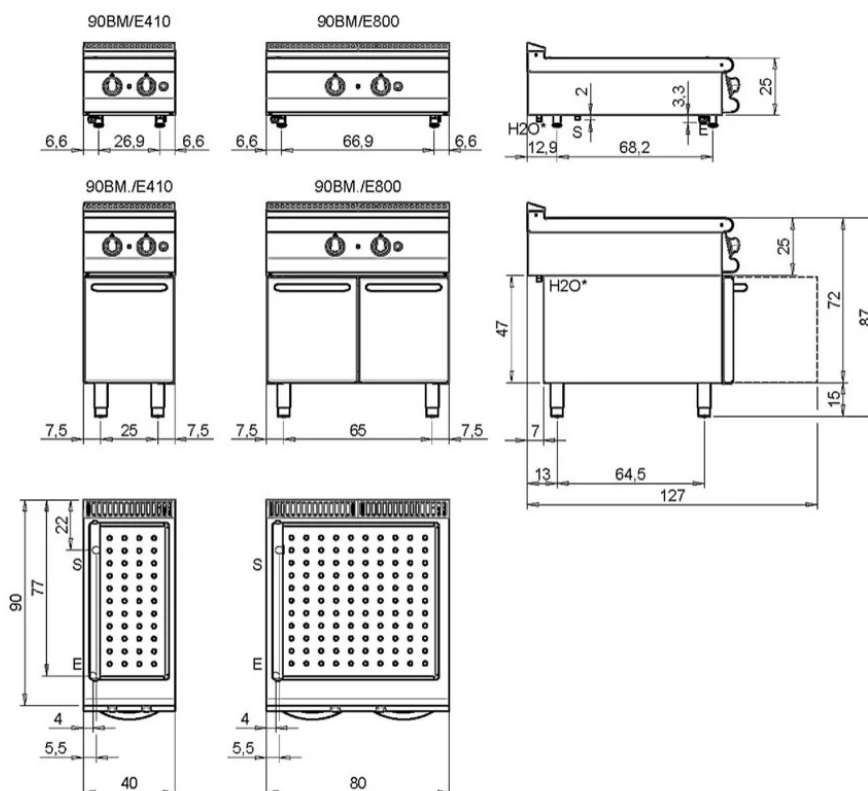
CODICE
CR1017949

MODELLO
Q90BMV/E800

SERIE
QUEEN 9

SCHEMA DI INSTALLAZIONE - INSTALLATION DIAGRAM - INSTALLATIONSPLAN - SCHÉMA D'INSTALLATION - ESQUEMA DE INSTALACION - INSTALLATIESCHEMA - IINSTALLATIONSRTNINGAR

MISURE IN cm - DIMENSIONS IN cm - ABMESSUNGEN IN cm - MESURES EN cm
 MEDIDAS EN cm - MATEN IN cm - DIMENSIONES EN cm



Legenda - Legende - Key - Légende - Leyenda - Legenda - Legenda	
<p>E Pressacavo entrata linea elettrica - Stopfbuchse - Electric cable stress relief - Presse étoupe de câble él - Pisacable - Elektrische kabelwartel - Entrada cabo eléctrico</p>	<p>G Arrivo gas - Gasanschluss - Gas connection - Arrivée gaz - Union de gas - Gasaansluiting - Ligaçao gás</p>
<p>S Attacco scarico acqua - Wasserablauf - Water outlet - Vidange de l'eau - Desaguadero - Waterafvoersluiting - Junção descarga água EN ISO 228-1 G1</p>	<p>H20 Arrivo acqua - Wasseranschluss - Water inlet - Arrivée eau - Union de água - Wateraansluiting - Junção alimentação água EN ISO 228-1 G1/2</p>
<p>S1 Scarico vasca - Wannenabflussrohr - Pan outlet - Vidange du bac - Descarga cuba - Water toevoer - Descarga da cuba</p>	<p>A1 = Calda - Heiss - Warm - Chaud - Caliente - Warm - Morno A2 = Fredda - Kalt - Cold - Froid - Fria - Koude - Frio</p>
<p>S2 Valvola di depressione - Anti-depression valve - Unterdruck ventil - Soupape de dépression - Válvula de depresión - Onderdrukklep - Válvula de depressão</p>	<p>L Rubinetto di livello - Level tap - Wasserhahn - Robinet de niveau - Grifo de nivel - Niveaakraan - Torneira de nivel</p>
<p>S3 Scarico acqua intercapedine - Wasserablauf Zwischenraum - Jacket water drain Evacuation eau double envelope - Descarga de água intersticios - Afvoer water tussenruimte - Descarga de água na marmita com Sistema de aquecimento indirecto</p>	
<p>S4 Scarico - Abflussrohr - Drain - Tuyau d'évacuation - Tubo de drenaje - Aftrapbuis - Tubulação de dreno</p>	

ELECTRIC BAIN-MARIE ON OPEN COMPARTMENT

Project
Rev.:
Zone:
Location:



CODICE
CR1017949

MODELLO
Q90BMV/E800

SERIE
QUEEN 9

PRODUCT'S RANGE PLUS



Adjustable temperature in tank with overflow and perforated false bottom for supporting containers. GN-sized tank.



Integrated water dispenser in tank



Different GN basin combinations
Examples:
M40: 1xGN1/3 + 1xGN 1/1 TANK
M80: 2xGN1/3 + 2xGN 1/1 TANK