

PRESTIGE IRONING HOLDER

PH116 Black

- Fixed heat resistant iron holder to fit Roomwell prestige ironing board only
- Featuring a unique cord wrap system with U shaped heel and clip the iron cord around the heel for neat storage.
- Anti-theft/ iron cable secured to the board



Product Dimension

Size (W x D x H)	220 x 140 x 200 mm
Weight	500 g

Product Performance

Antitheft	Yes
Cord Organizer	Yes

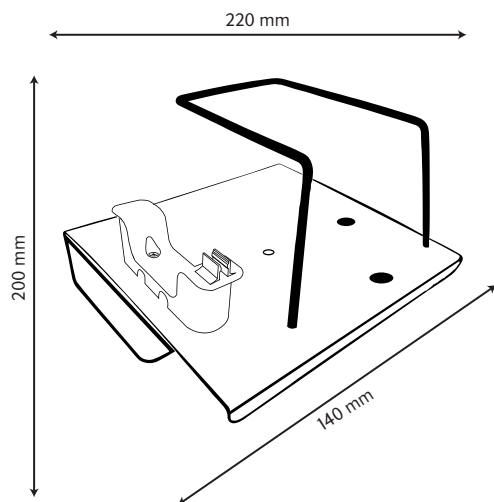
Additional Information

Material	Metal
Color	Black

Shipping Details

Carton (W x D x H)	320 x 550 x 615 mm
Gross Weight	6 kg / 13.20 lb
Net Weight	5.4 kg / 11.91 lb
Packaging	32 pieces
HS Code	83024990

Drawing



Box contents: IRON HOLDER AND HOOK